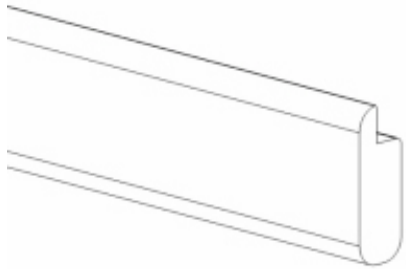
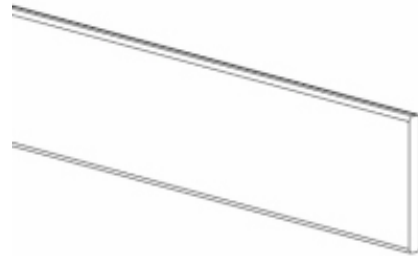




# Rhino Deck *Fascia* Installation Guide

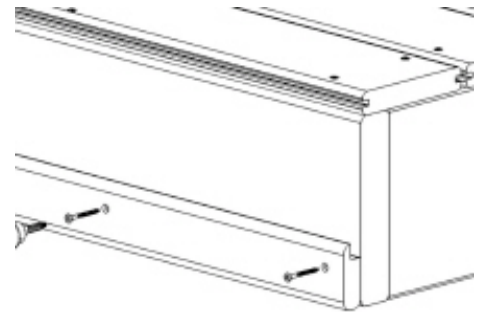


**Rhino Deck Trim Molding**  
Trim Cover End Plates

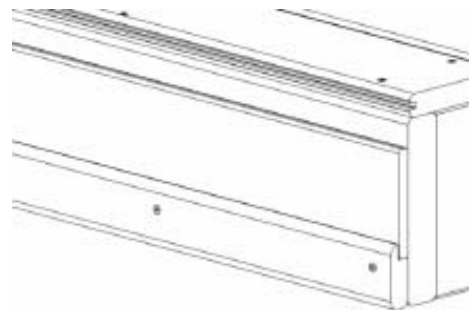


**Rhino Deck Fascia**  
Trim Cover

**Step 1:** Pre-drill pilot holes on center of the first **Rhino Trim Molding** (approx 1-1/4" from edge) with 12" spacing. Align the solid side of the **Rhino Trim Molding** to be flush with the bottom of Deck trim board. Note that the **Rhino Trim Molding** notch cut out is facing up and in towards the deck trim board. Screw down every 12" at pre-drilled locations.



**Step 2:** Place **Rhino Fascia** board on the bottom trim molding. Mark the cutting line on the **Rhino Fascia** board so that the cutting line is 2 1/8" away from the top of the Rhino Vision Deck. Remove **Rhino Fascia** board and cut at the marked line. Insert **Rhino Fascia** board back in place.



**Step 3:** Pre-drill pilot holes on center of the second **Rhino Trim Molding** with 12" spacing. Align the solid side of the **Rhino Trim Molding** flush with the top of the **Rhino Vision** deck board. Note that the **Rhino Trim Molding** cut out is facing down and toward the **Rhino Fascia** board. Screw down every 12".

